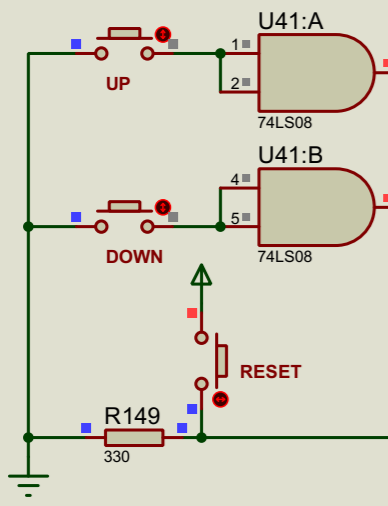
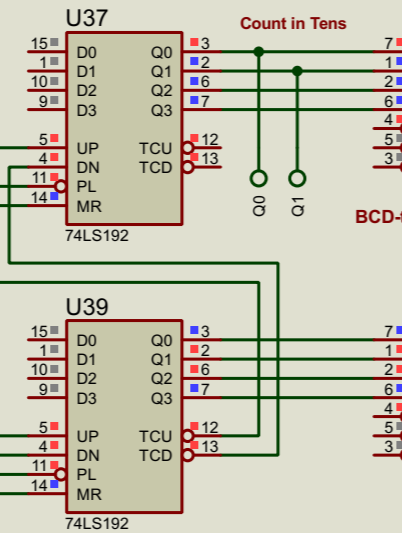


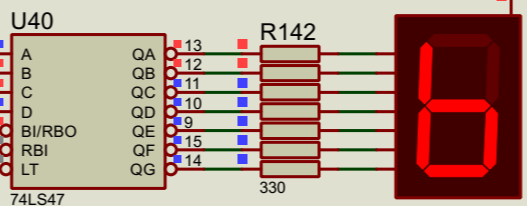
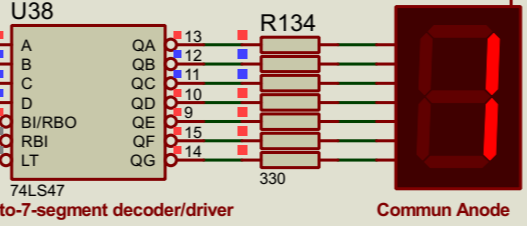
2-input AND gates with standard push-pull outputs



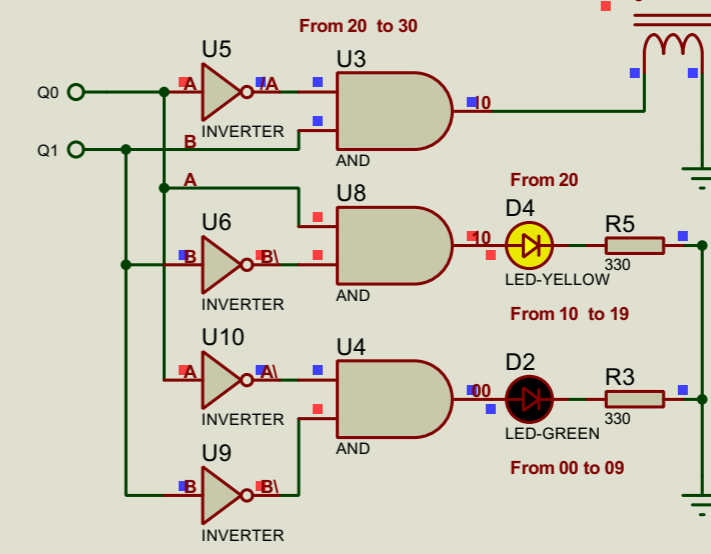
4-bit synchronous up/down decade counter



Count in Tens



Digital Counter to LED Control Interface



Flashing LED

